

SONANCE

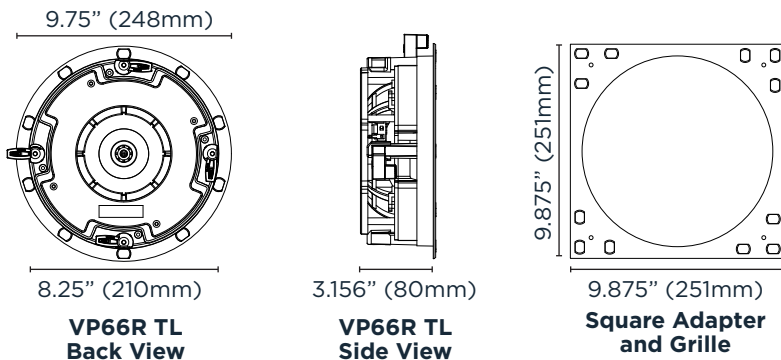
VISUAL PERFORMANCE DATA SHEET

VP62R TL | VP62R SST/SUR TL | VP66R TL | SQUARE ADAPTER

TECHNICAL SPECIFICATIONS

	VP62R TL + VP6SQ 93020	VP66R TL + VP6SQ 93021	VP62R SST/SUR TL + VP6SQ 93022
SKU	93020	93021	93022
UOM	Pair	Pair	Pair
Tweeter	1" (25mm) cloth dome, Ferrofluid-cooled, pivoting, acoustic back chamber	1" (25mm) powder coated aluminum dome, Ferrofluid-cooled, pivoting, acoustic back chamber	1" (25mm) cloth dome, Ferrofluid-cooled, pivoting, acoustic back chamber
Woofer	6.5" (165mm) textured polypropylene cone, rubber surround	6.5" (165mm) Kevlar/Nomex laminated cone, rubber surround	6.5" (165mm) textured polypropylene cone, rubber surround, dual voice coil
Frequency Response	45Hz - 20kHz +/- 3dB	43Hz - 20kHz +/- 3dB	45Hz - 20kHz +/- 3dB
Impedance	8 Ohms nominal; 6 Ohms minimum	8 Ohms nominal; 6 Ohms minimum	8 Ohms nominal; 6 Ohms minimum
Power Handling (RMS)	5 watts minimum; 125 watts maximum	5 watts minimum; 140 watts maximum	5 watts minimum; 125 watts maximum
Sensitivity (2.83V/1m)	89dB SPL	90dB SPL	89dB SPL
Product Dimensions (DiaxD)	9.75" x 3.156" (248mm x 80mm)	9.75" x 3.156" (248mm x 80mm)	9.75" x 3.156" (248mm x 80mm)
Dimensions w/ Square Grille (WxH)	9.875" x 9.875" (251mm x 251mm)	9.875" x 9.875" (251mm x 251mm)	9.875" x 9.875" (251mm x 251mm)
Cut-Out Dims (Dia.)	8.25" (210mm)	8.25" (210mm)	8.25" (210mm)
Shipping Weight	9 lbs. (4.1kg)	9 lbs. (4.1kg)	9 lbs. (4.1kg)

DIMENSIONAL DRAWINGS



ASSOCIATED PRODUCTS

THINLINE MODELS

VP6 Sq Square Adapter W/ Grille / Pair	93030
VP6 Sq Square Adapter W/ Grille / 5xPair	93033
Medium Round Flex Bracket / 5xPair	92337
Medium Round Coverplate / Pair	92335

LIMITED FIVE (5) YEAR WARRANTY Sonance warrants to the first end-user purchaser that this Sonance-brand product ("Product"), when purchased from an authorized Sonance Dealer/Distributor, will be free from defective workmanship and materials for the period stated above. Sonance will at its option and expense during the warranty period, either repair the defect or replace the Product with a new or remanufactured Product or a reasonable equivalent. For more details please refer to the product manual.

©2021 Sonance. All rights reserved. Sonance is a registered trademarks of Dana Innovations. Due to continuous product improvement, all features and specifications are subject to change without notice. For the latest Sonance product specification information visit our website at www.sonance.com.

SONANCE • 991 Calle Amanecer • San Clemente, CA 92673 USA • Phone: (949) 492-7777 • Fax: (949) 361-5151 • Technical Support: (949) 492-7777 • www.sonance.com 05.03.2021