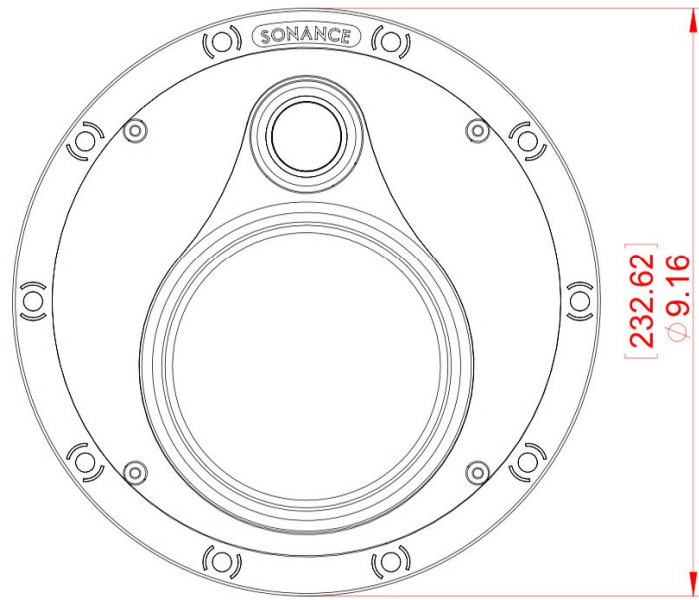
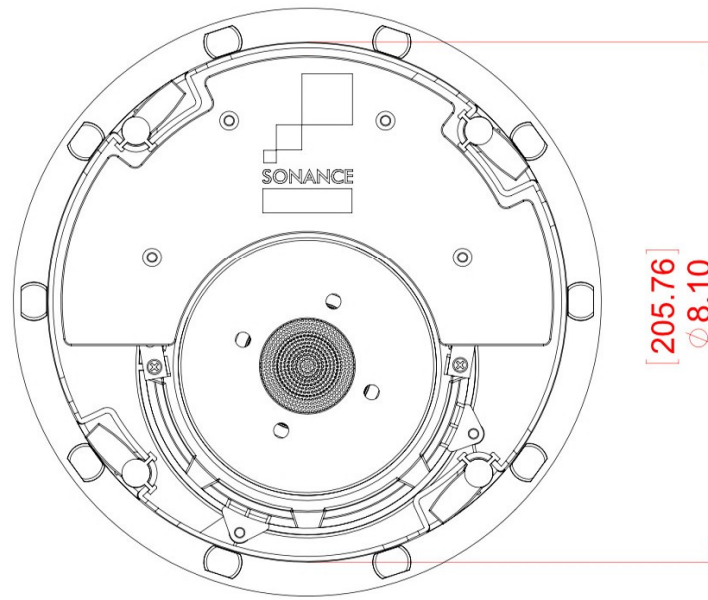


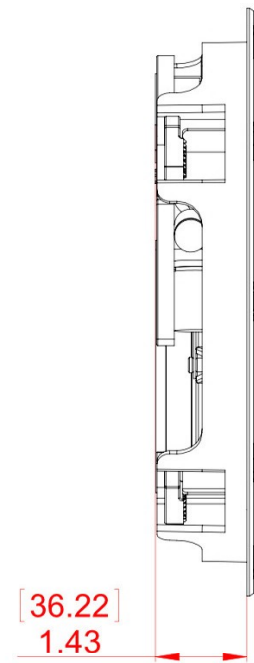
FRONT



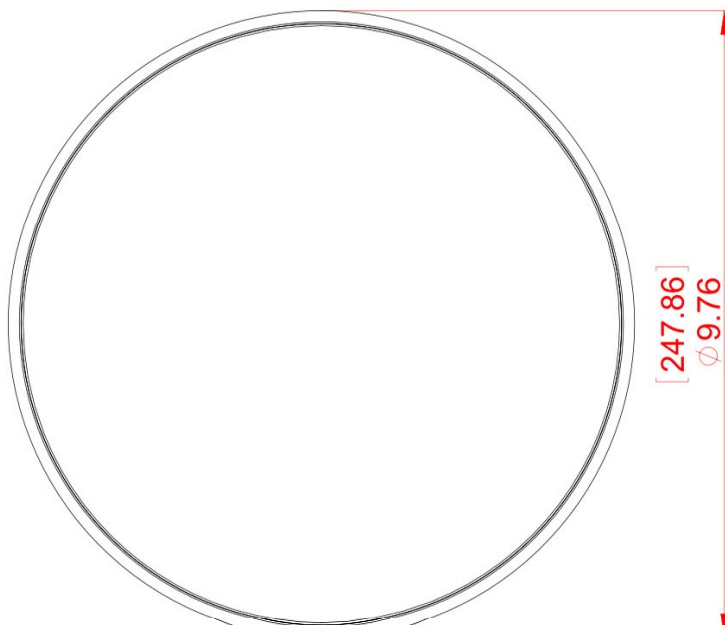
BACK/MINIMUM CUTOUT



MOUNTING DEPTH



GRILLE



ISOMETRIC

