

SONANCE

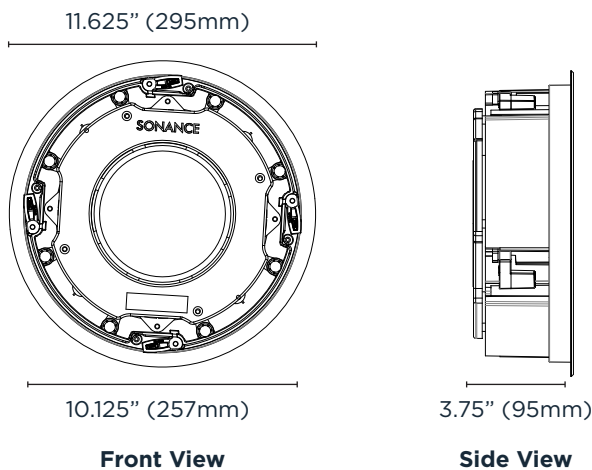
EXTREME DATA SHEET

VPXT8R

TECHNICAL SPECIFICATIONS

SKU	VPXT8R 93341
UOM	Pair
Tweeter	1" (25mm) polyurethane dome, Ferrofluid cooled, in acoustic back chamber
Woofers	8" (203mm) injection-molded polypropylene/graphite cone, integral Santoprene™ surround
Frequency Response	40Hz-20Hz +/-3dB
Impedance	8 Ohms nominal; 6 Ohms minimum
Power Handling	5 Watts minimum; 130 Watts maximum
Sensitivity	90dB SPL (2.83V/1 meter)
Environmental	Military Standard 810G for humidity, salt spray, temperature, UV, IP-66 waterproof rating
Environmental Temperature	-30° to +175°F (-34°C to +79°C)
Grille Material	Powder-coated stainless steel
Dimensions (DiaxD)	11.625" x 3.75" (295mm x 95mm)
Cut-Out Dimensions (DiaxD)	10.125" x 3.75" (257mm x 95mm)
Shipping Weight	14 lbs (6.35 kg) pair

DIMENSIONAL DRAWINGS



ASSOCIATED PRODUCTS

VPXT8SQ Square Adapter + Grille / Pair	93343
Large Round Retrofit Enclosure / Pair	92343
Large Round Acoustic Enclosure / Each	91900
Large Round Flex Bracket / 5x Pair	92247
Large Round Coverplate / Pair	92245

LIMITED FIVE (5) YEAR WARRANTY Sonance warrants to the first end-user purchaser that this Sonance-brand product ("Product"), when purchased from an authorized Sonance Dealer/Distributor, will be free from defective workmanship and materials for the period stated above. Sonance will at its option and expense during the warranty period, either repair the defect or replace the Product with a new or remanufactured Product or a reasonable equivalent. For more details please refer to the product manual.

©2021 Sonance. All rights reserved. Sonance is a registered trademarks of Dana Innovations. Due to continuous product improvement, all features and specifications are subject to change without notice. For the latest Sonance product specification information visit our website at www.sonance.com.

SONANCE • 991 Calle Amanecer • San Clemente, CA 92673 USA • Phone: (949) 492-7777 • Fax: (949) 361-5151 • Technical Support: (949) 492-7777 • www.sonance.com 08.03.2021